



BMS 1000 Operating Instructions

Spare Parts

1

Stripper

Item No.	Drawing	Description	Blastrac Part # (E.R.N.)	Quan.
1.1	1	Chassis	C001	1
1.2	1	Stripper Hood	C00115	1
1.3	1	Console	C00116	1
1.4	1	Oil Pan	C00117	1
1.5	1	Hose Mounting	C00121	1
1.6	1	Steering Roller Plate	C0016	1
1.7	1	Steering Roller Support	C00118	1
1.8	1	Bolt	C00111	2
* 1.9	1	Guide Plate, Wheel	C00128	1
1.10	1	Hose Mounting	C00129	2
1.11	1	Valve Support Plate	C00138	2
1.12	1	Hose Adaptor	C00139	1
1.13	1	Valve Plate Bracket	C00140	1
1.14	1	Cone Bearing	C0Z1	2
1.15	1	Circular Bearing	C0Z2	2
* 1.16	1	Tool Bearing	C0Z3	4
1.17	1	Level Indicator	C0Z4	1
1.18	1	Oil Filler Neck	C0Z5	1



BMS 1000 Operating Instructions

Spare Parts

1

Stripper

1.19	1	Driver Seat	COZ6	1
1.20	1	Driver Seat Guide Rails	COZ6/1	1
1.21	1	Control Assembly / RH / Complete	#695510 COZ7	1
1.22	1	Control Assembly / LH / Complete	#696025 COZ8	1
		Adjusting Device / Control Cable	#695509 COZ9	
		Ball Joint / Right Angle / M6 / Control Handle	#692512 COZ9/1	
		Bearing / Swivel / Control Cable	#694050 COZ9/2	
		Lever / Control / Hydrostatic / R.H.	#696026 CO0125	1
		Lever / Control / Hydrostatic / L.H.	#696027 CO0126	1
1.23	1	Bolt / Split Pin	COZ10	3
1.24	1	Suction Hose L/R	COZ12	2
1.25	1	360 degree Castor 9/94 and earlier Steering	COZ13	2
1.25	1	360 degree Castor 10/94 and later Steering	#695426 COZ13/1	2
1.26	1	Header	COZ47	4
1.27	1	Exhaust Hose Clips	COZ49	4
1.28	1	Rubber Mat Set	COZ11	1
1.29	1	Felt Cushion / Steering Support	CO037	1
1.30	1	Drive Wheel	#695427 COZ40	2
1.31	1	Coupling/Hydraulic/Threaded Sleeve/Size 6/RA18	#694642 COH5	1
1.32	1	Cap/Sleeve/Size 6	#694643 COH7	1



BMS 1000 Operating Instructions

Spare Parts

1

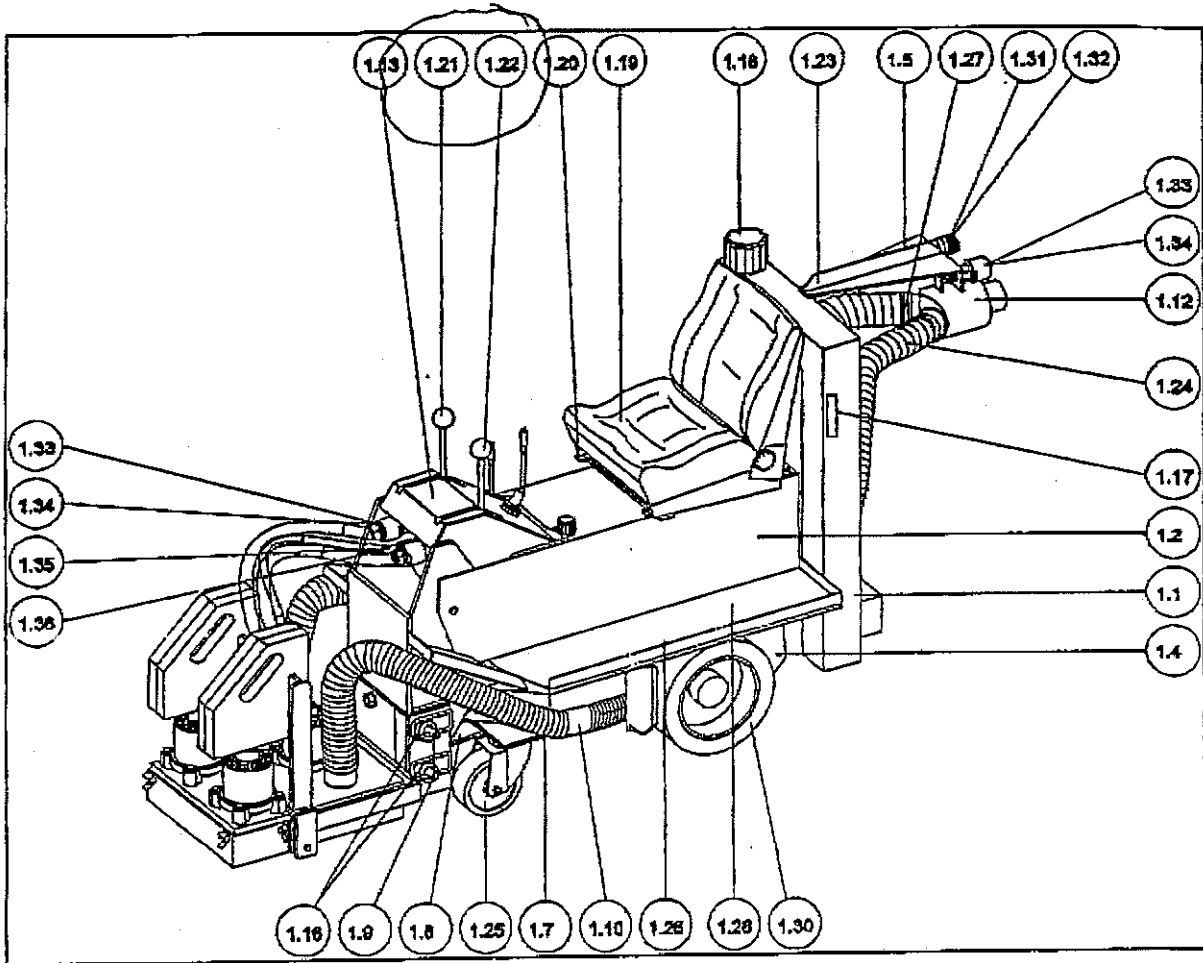
Stripper

1.33	1	Coupling/Hydraulic/Threaded Plug (External Knurling)/Male Size 6/RA18	#694644 COH8	2
1.34	1	Cap/Plug/Size 6	#694645 COH6	2
1.35	1	Coupling/Hydraulic/Threaded Plug (External Knurling) Male Size 3/RA10	#694646 COH10	1
1.36	1	Cap/Plug/Size 3	#694647 COH11	1
		Coupling / Shaft / Hub City PN 03-32-00028(Between Rear Motor and Hydrostatic Drive)	#692543 CFS-24031	1

Spare Parts

1

Stripper



Drawing 1



BMS 1000 Operating Instructions

Spare Parts

2 Hydraulic Systems (Stripper)

Item No.	Drawing	Description	Blastrac Part # (ERN) or (CFS)	Quan.
2.1	2	Motor/Hydraulic/Rear Drive	#692527 CFS - 41161	1
2.2	2	Variable Displacement Pump Wheel Motor	C0H17	2
2.3	2	Variable Displacement Pump Tandem	C0H18	1
2.4	2	Gear Pump for Tandem Pump	C0H19	1
2.5	2	Hydraulic Lifting Cylinder	C0H1	1
2.6	2	Monobloc Actuation Valve	C0H2	1
	2	Operator Stem / Cylinder Up/Down	C0H2/1	1
2.7	2	Adjustable Flow Control	#693331 C0H3	1
2.8	2	Suction Filter (Complete with Base)	C0H4	1
2.9	2	Filter Element	#693333 C0H4/1	1
2.10	2	Ball Valve (Free Wheel) 1/2 NPT	C0H13	2
2.11	2	Monobloc Valve , Tool On / Off	C0H14	1
2.12	2	Flow Divider	C0H15	1
2.13	2	Hydraulic Hose / Forward Travel 71"	#695295 C0S1	1
2.14	2	Hydraulic Hose / Reverse Travel 65.25"	#695296 C0S2	1
2.15	2	Hydraulic Hose / Flow Divider T - Piece 7.5"	#695297 C0S3	1
2.16	2	Hydraulic Hose / Pump Return	C0S4	1
2.17	2	Hydraulic Hose / SD11T 22.25"	#695298 C0S5	1
2.18	2	Hydraulic Hose / SD11 P 14"	#695299 C0S6	1

**Spare Parts****2 Hydraulic Systems (Stripper)**

2.19	2	Hydraulic Hose / SD11 B 180 degrees 24"	#695300 C0S7	1
2.20	2	Hydraulic Hose / SD11 A 22.25"	#695301 C0S8	1
2.21	2	Hydraulic Hose / Stripper Drain 5/94 and before	C0S9	1
2.21	2	Hydraulic Hose Stripper Drain After 5/94 0 degrees 51.5"	#695294 C0S9/1	1
2.22	2	Hydraulic Hose / To Filter 15.75"	#695302 C0S10	1
2.23	2	Hydraulic Hose / T to Filter 11.75"	#695303 C0S11	1
2.24	2	Hydraulic Hose / T to Var. Pump 7"	#695304 C0S12	1
2.25	2	Hydraulic Hose / T to Gear Pump 0 degrees 11.5"	#695305 C0S13	1
2.26	2	Hydraulic Hose / Pump Feed 7.75"	#695306 C0S14	1
2.27	2	Hydraulic Hose / Gear Pump-Cylinder Hose-Gear Pump 16.5"	#695307 C0S15	1
2.28	2	Hydraulic Hose / Cylinder Actuation T 22"	#695308 C0S16	1
2.29	2	Hydraulic Hose / Cylinder Actuation - Lower 14"	#695309 C0S17	1
2.30	2	Hydraulic Hose / Cylinder Actuation - Upper 20.25"	#695310 C0S18	1
2.31	2	Hydraulic Hose / Pump (Front left- Wheelmotor left below) 90 degrees 17"	#695311 C0S19	1
2.32	2	Hydraulic Hose / Pump (Front Right- Wheelmotor left above) 20"	#695312 C0S20	1
2.33	2	Hydraulic Hose / Ball Valve (above) Wheel motor (left) 31"	#695313 C0S21	1
2.34	2	Hydraulic Hose / Ball Valve (left/right) Wheelmotor (180 degrees) 23.5"	#695314 C0S22	2
2.35	2	Hydraulic Hose / Ball Valve (above) Wheelmotor (right) (315 degrees) 31"	#695315 C0S23	1
2.36	2	Hydraulic Hose / Pump (rear left) Wheelmotor (below right) 22.75"	#695316 C0S24	1
2.37	2	Hydraulic Hose / Pump (rear right) Wheelmotor (above right) 10.5"	#695317 C0S25	1



Spare Parts

2 Hydraulic Systems (Stripper)

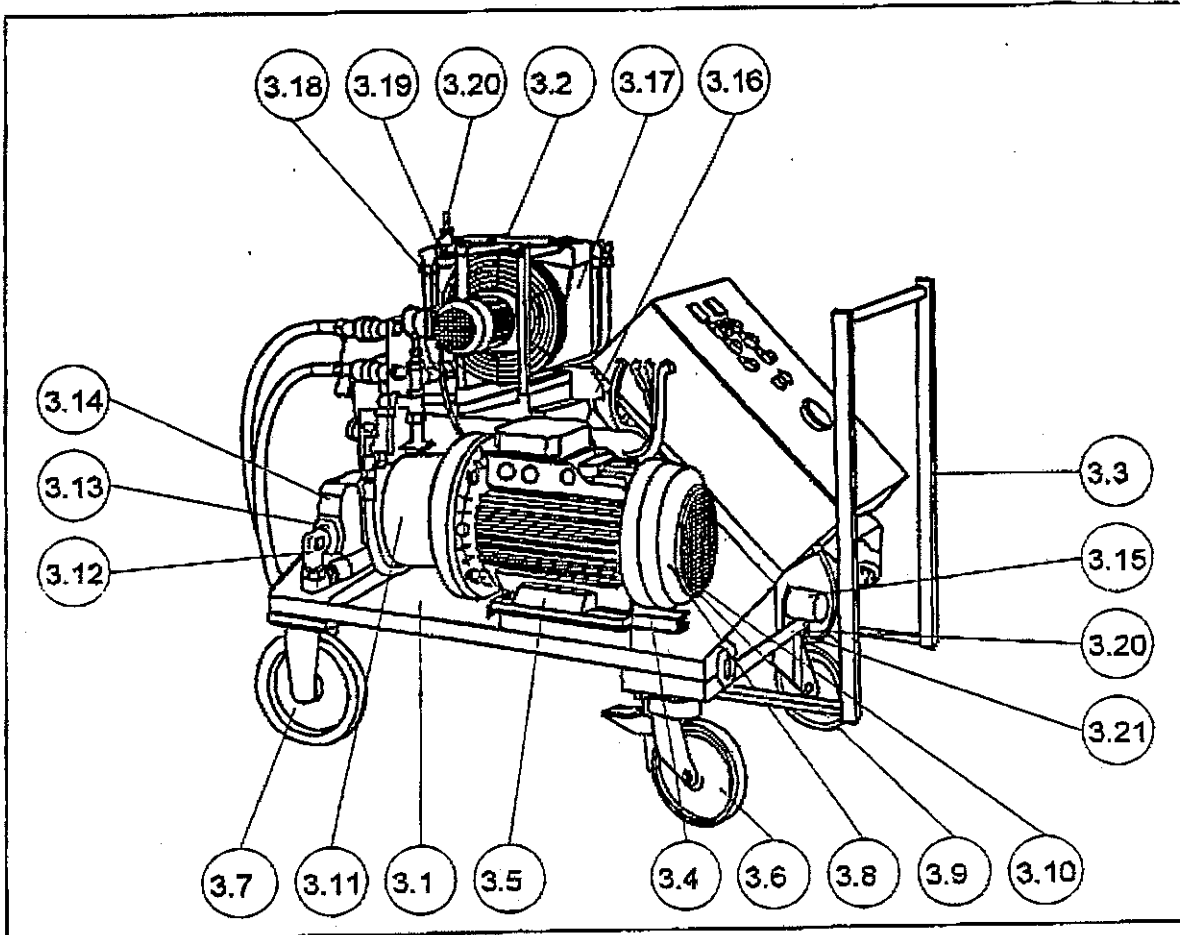
2.38	2	Hydraulic Hose/ Pump Drain (rear) T piece (0 degrees) 14"	#695318 C0S26	1
2.39	2	Hydraulic Hose / Pump Drain (front) T piece 14"	#695319 C0S27	1
2.40	2	Hydraulic Hose / Drain / T piece 5.5"	#695320 C0S28	1
2.41	2	Hydraulic Hose / Pump Motor (B) L-Type Screw Connection 10.625"	#695323 C0SUS5-1	1
2.42	2	Hydraulic Hose / Adj. Flow Control (B) L-Type Screw Connection 6.5"	#695324 C0SUS5-2	1
2.43	2	Hydraulic Hose / Adj. Flow Control (A) Pump Motor 20.25"	#695325 C0SUS5-3	1



Spare Parts

2 Hydraulic Systems (Power Pack)

Item No.	Drawing	Description	Blastrac Part # (ERN) or (CFS)	Quan.
2.1.1	2	Pressure Relief Valve	C0H81	1
2.1.2	2	Return Valve	C0H88	1
2.1.3	2	Manometer	C0H85	1
2.1.4	2	Hydraulic Hose / Suction 300 mm. 1/6/94 & before	C0S35	1
2.1.5	2	Hydraulic Hose / Drain 16"	#695321 C0S34	1
2.1.6	2	Hydraulic Hose / Pressure 1/5/94	C0S36	1
2.1.7	2	Hydraulic Hose / Pressure	#695322 C0S36-1	1
2.1.8	2	Hydraulic Hose / Suction 280 mm. 4/94 to 7/94	C0S35-1	1
2.1.9	2	Hydraulic Oil ISO VG32	C0Z50	40 Gal.



Drawing 3



BMS 1000 Operating Instructions

Spare Parts

3

Power Pack (23 HP)

Item No.	Drawing	Description	Blastrac Part # (ERN) (CFS)	Quan.
		Power Pack Assembly (As Received)	#690833	1
3.1	3	Chassis	CO02	1
3.2	3	Filter Support Plate	CO029	1
3.3	3	Shackle	CO0212	1
3.4	3	Left Motor Support	CO0213	1
3.5	3	Right Motor Support	CO0214	1
3.6	3	360 degree Castors	COZ101	2
3.7	3	Stationary Castors	COZ102	2
3.9	3	23 HP Electric Motor	COZ111	1
3.10	3	Motor Console	COZ107	1
3.11	3	Pump Support Console	COZ113	1
3.12	3	Flange (6/94 and Before)	COZ114	1
3.12	3	Flange (7/94 and After)	COZ114-1	1
3.13	3	Flange Bolts	COZ115	4
3.14	3	Main Hydraulic Pump	COH80	1
3.15	3	Main Pump Universal	COZ116-1	1
3.16	3	Thermostat	COZ118	1
	3	Float Switch	COZ119	1



Spare Parts

3

Power Pack (23 HP)

3.17	3	Fan / w Motor	COH84	1
3.17	3	Fan without Motor	COH83/1	1
3.18	3	Fan Motor Only	COH83/2	1
3.19	3	Filter /Complete	COH82	1
3.20	3	Replacement Filter Element Only	#693334 COH82/1	1
	3	Oil Level Indicator	COZ4	1
3.21	3	Drain Valve	COH87	1

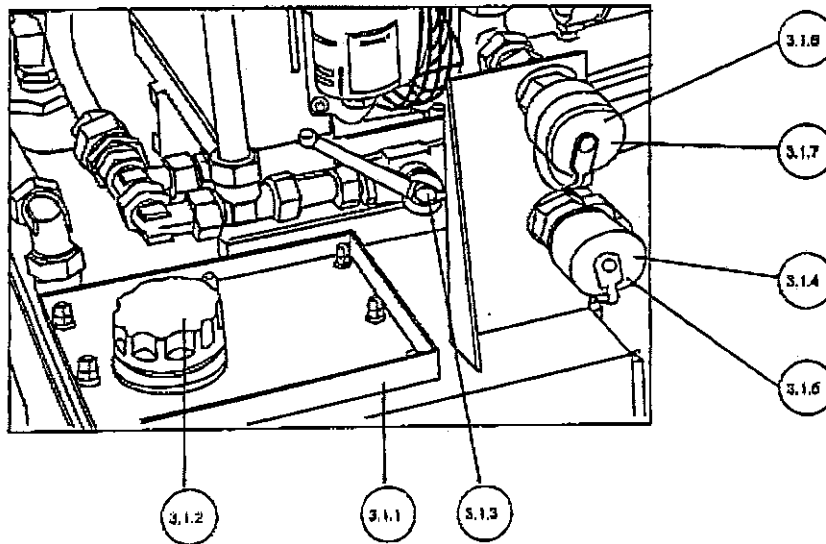


Spare Parts

3

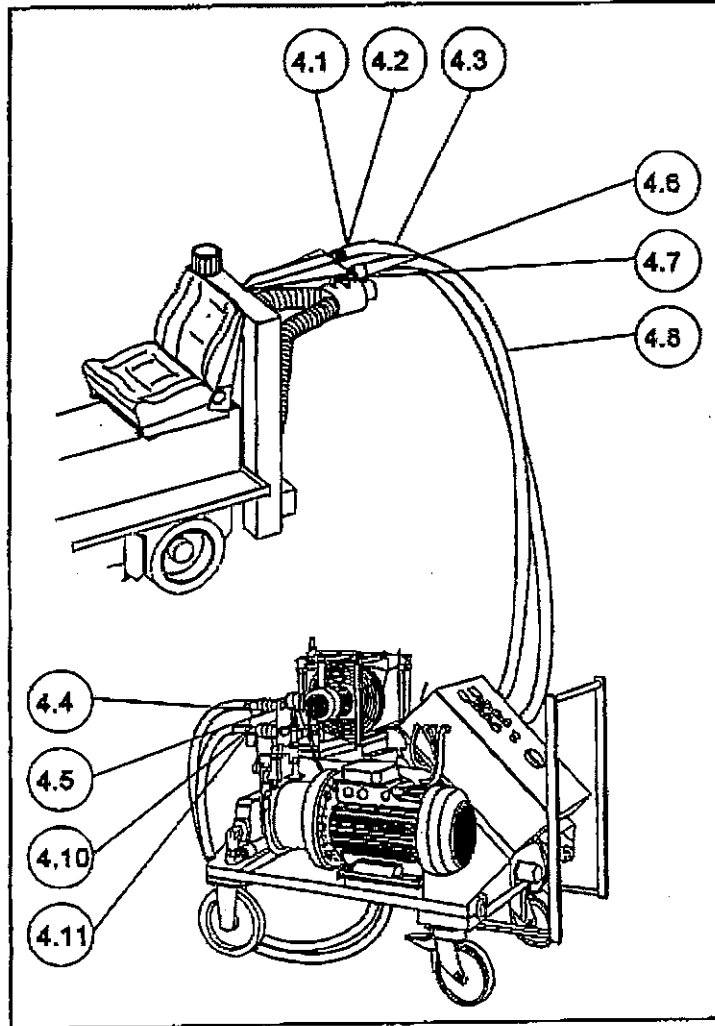
Power Pack (Back)

Item No.	Drawing	Description	Blastrac Part # (ERN) (CFS)	Quan.
3.1.1	3.1	Oil Reservoir Cover	CO027	1
3.1.2	3.1	Filler Neck	COZ5	1
3.1.3	3.1	By-Pass Ball Valve	COH86	1
3.1.4	3.1	Coupling / Hydraulic / Threaded Sleeve / Female / Size 6	#694652 COH5	1
3.1.5	3.1	Cap for Threaded Sleeve - Size 6	#694643 COH7	1
3.1.6	3.1	Coupling / Hydraulic / Threaded Plug (External Knurling) Male / Size 6	#694648 COH24	1
3.1.7	3.1	Cap for Plug / Size 6	#694645 COH6	1



Drawing 3.1

4 Hydraulic Hoses / Accessories



Drawing 4



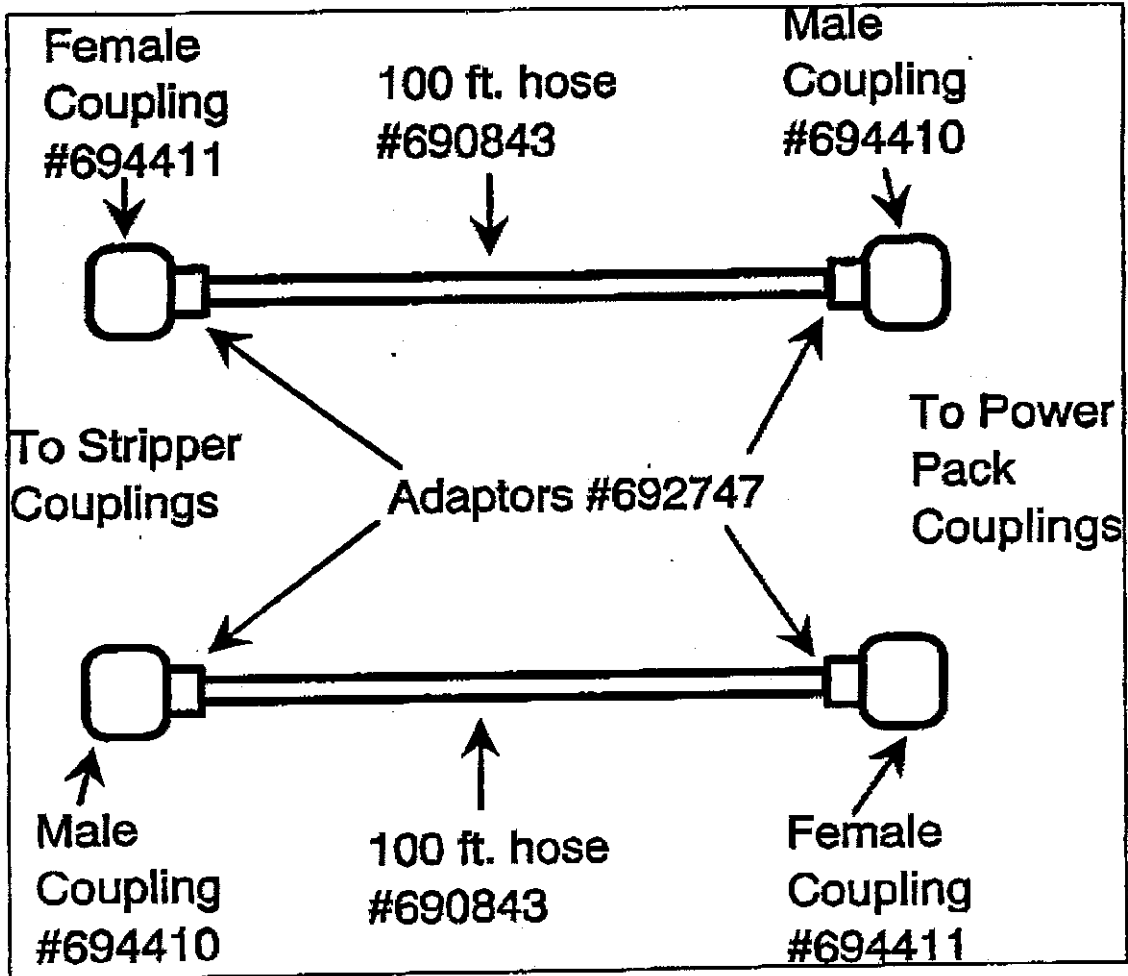
Spare Parts

4 Hydraulic Hoses / Accessories

Item No.	Drawing	Description	Blastrac Part # (ERN) (CFS)	Quan.
4.1 & 4.10	4	Coupling Plug / Hose Set / "OLD STYLE" (80 ft.hose)	COH26	1
4.1 & 4.10	4, 4.1 & 4.2	Coupling / Hose Set / Male / Plug / (External Knurling) BSPT 3/4" (Replaces COH26)	#694410 COH26-1	1
4.2 & 4.11	4	Cap / Plug / Size 6	#694645 COH6	1
4.3 & 4.8	4	Hydraulic Hose " OLD STYLE" (80 ft.) with "Couplings"	#690805 COS33	80ft.
4.3 & 4.8	4	Hydraulic Hose with "Fittings" (100 ft)	#690843	100 ft.
4.4 & 4.6	4	Coupling Sleeve / Hose Set / OLD STYLE (80 ft. hose)	COH28	1
4.4 & 4.6	4, 4.1 & 4.2	Coupling / Hose Set / Female / Sleeve / BSPT 3/4" (Replaces COH28)	#694411 COH200	1
4.5 & 4.7	4	Cap / Sleeve / SiZe 6	#694643 COH7	1
	4.1 & 4.2	Adaptor 3/4" x 3/4" Male - BSPT to Female - NPT	#692747	4
	4.2	Coupler Assembly / 1 Male - 1 Female per Set / Wingnut / 3/4" Body / 3/4 -14 NPTF Thread (Used to Add Hydraulic Extension Hose)	#692923	1
		Plug / Dust /Steel / For 3/4" Coupling Used with #692923	#692924	1
		Cap / Dust / Steel / For 3/4" Coupling Used with #692923	#692925	1
		Seal Set / 3 pcs / O-Ring & Teflon Seal for #6 Male Coupling	#691211 COH201 & COH205	1
		Seal Set / 3 pcs / O-Ring & Teflon Seal for #3 Male Coupling	#691212 COH204 & COH206	1



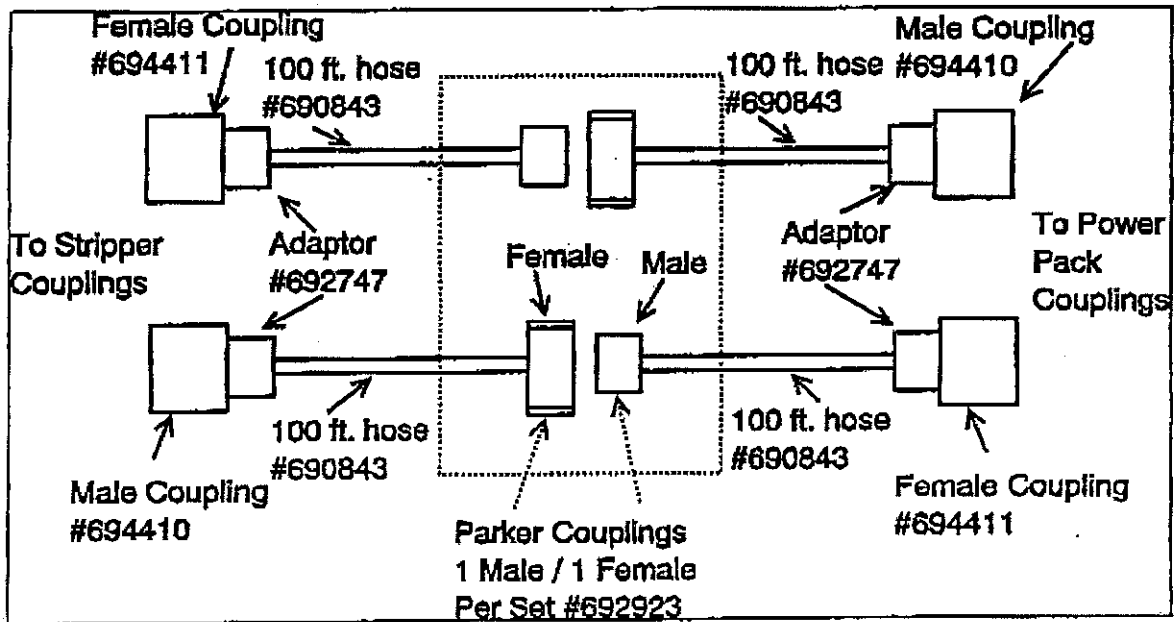
4 Hydraulic Hoses / Accessories



Drawing 4.1
100 Foot Hydraulic Hose Assemblies



4 Hydraulic Hoses / Accessories



Drawing 4.2
Diagram For Additional 100 Feet of Hydraulic Hose



Spare Parts

5 Cutting Tools / Stripper

Item No.	Drawing	Description	Blastrac Part # (ERN) (CFS)	Quan.
5.1	5.1	Three Head Cutting Tool / Complete	#690831 CO03	1
	5.1	Three Head Cutting Tool / Less Couplings	#690801 CFS-60324	1
5.2	5.1	Tool Support Mounting Bracket	CO031	1
5.3	5.1	Weight / Suitcase / 35 lbs.	#690804 CFS-99420	4
5.4	5.1	Guard / Cutter	#690840	1
	5.1	Decal / Guard / Safety	#690841	3
5.5	5.1	Coupling / Hydraulic / Threaded Sleeve Female / Size 6 / R3/4"	#694649 COH200	2
5.6	5.1	Cap / Sleeve / Size 6	#694643 COH7	2
5.7	5.1	Coupling / Hydraulic / Threaded Sleeve Female / Size 3 / RA10	#694650 COH202	1
5.8	5.1	Cap / Sleeve / Size 3	#694651 COH11	1
5.9	5.1	Motor / Hydraulic / Ctr. Hd / Med / 8.8 CU"	#690799 CFS-41144	2
5.10	5.1	Motor / Hydraulic / Slow / Rear	#690800 CFS-41147	1
5.11	5.1	Decal / Rotating Parts	COZ200	2
5.12	5.1	Decal / Arrow / Left	COZ201	1
5.13	5.1	Decal / Arrow / Right	COZ202	1
5.14	5.1	Suction Hose / L-R	COZ13	2
5.15	5.1	Hose Clip	COZ204	4
5.16	5.1	Block / Cutter / Red / Mastic	#690786 CFS-60309	9
5.17	5.1	Block / Cutter / Blue / Tile	#690787 CFS-68309	9



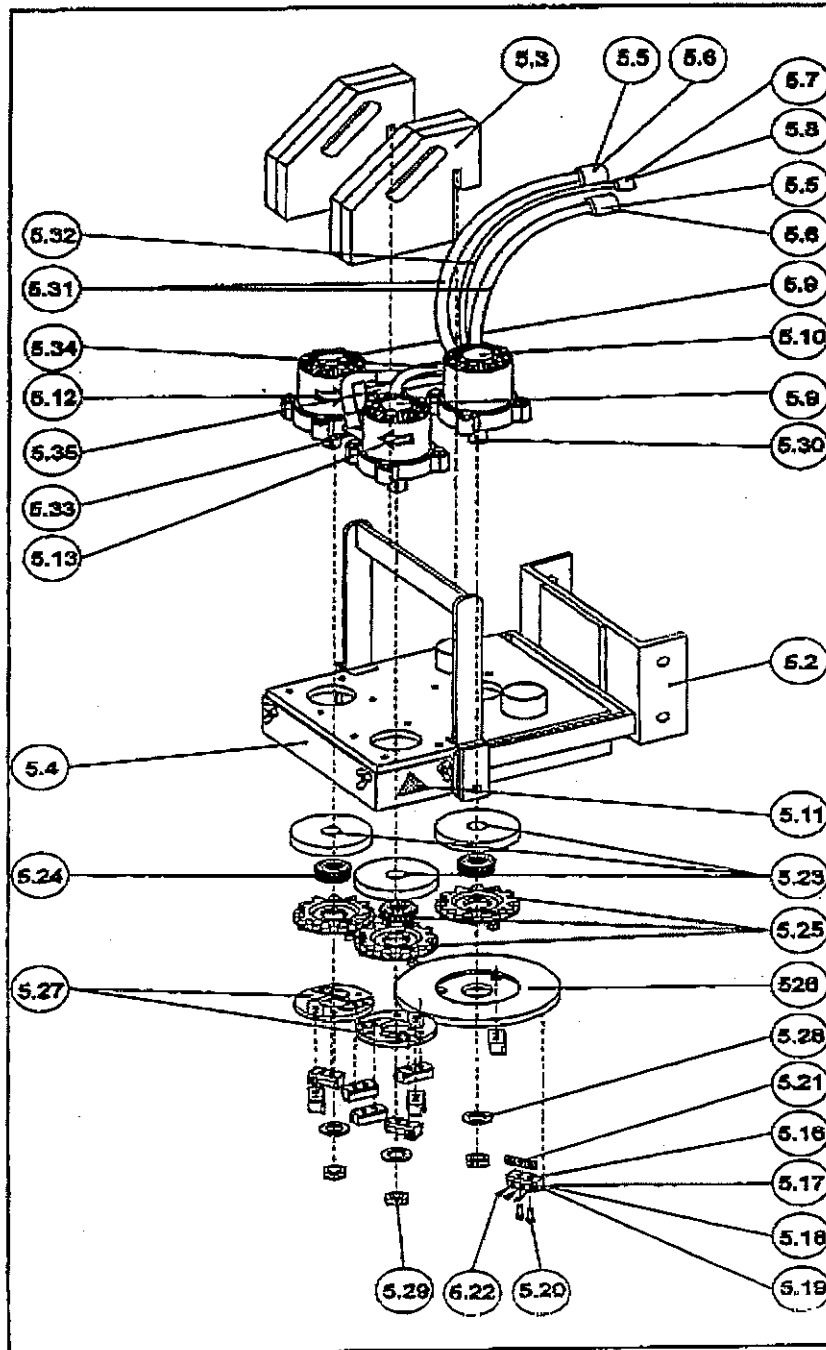
Spare Parts

5 Cutting Tools / Stripper

5.18	5.1	Block / Cutter / Green / Epoxy	#690788 CFS-69309	9
5.19	5.1	Block / Cutter / Yellow / Mastic	#690803 CFS-62309	9
5.20	5.1	Bolt / Block Mounting	#690791 CFS-83300	18
5.21	5.1	Insert / Cutting - Carbide / 4 Sided	#690789 CFS-61643	27
5.22	5.1	Bolt / Insert Mounting	#690790 CFS-83643	27
5.23	5.1	Cutter Drive / 6" / Taper Hub	#690794 CFS-76190	3
5.24	5.1	Donut / Rubber / Washer-Cutter	#690798 CFS-60260	3
5.25	5.1	Cutter Head / 12 Point	#690795 CFS-76390	3
5.26	5.1	Cutter / 11" / Lock	#690797 CFS-76990	1
5.27	5.1	Cutter / 6" / Lock / L&R	#690796 CFS-76590	2
5.28	5.1	Washer / Flat / Steel / Cutter	#690807 CFS-60250	3
5.29	5.1	Nut / Hex / 1-20 / Slot / Cutter	#690806 CFS-61300	3
5.30	5.1	Key / Woodruff / Cutter	#690808 CFS-61200	3
5.31	5.1	Hose / Hydraulic / Pressure-Return Lines	COS37	2
5.32	5.1	Hose / Hydraulic	COS38	1
5.33	5.1	Hose / Hydraulic / Front Motor Connecting	COS39	1
5.34	5.1	Hose / Hydraulic / Front-Rear Connecting	COS40	1
5.35	5.1	Hose / Hydraulic / Case Connecting	COS41	3
		Bolt / Front Cutter Disk Mtg. 1.25" lg.	#694386 CFS-85150	2
		Bolt / Rear Cutting Disk Mtg. 1.5" lg.	#694387 CFS-85125	1

Handwritten notes:
1/20/04
1/20/04
1/20/04

5 Cutting Tools / Stripper



Drawing 5.1

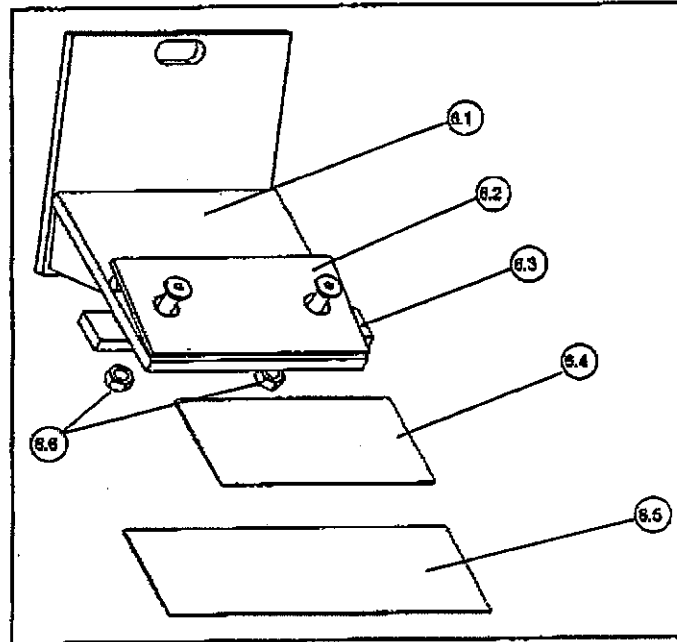


Spare Parts

6 Scraper Tools / Stripper

Item No.	Drawing	Description	Blastrac Part # (ERN) (CFS)	Quan.
6.1	6	Blade Holder / Less Blade / 8"	#690802 CFS-50811	1
6.1	6	Blade Holder / Less Blade / 12"	#690809 CFS-51211	1
6.2	6	Clamp Plate / 8" (Top)	COO43	1
6.3	6	Clamp Plate / 8" (Bottom)	COO44	1
6.4	6	Scraper Blade / 8"	#690792 CFS-50108	1
6.5	6	Scraper Blade / 12"	#690793 CFS-50112	1
6.6	6	Bolt-Nut	#690810 CFS-50777	2
		Scraper Blade Holder / 24" Bucket / Less Blade	#694918 CFS-52410	1
		Scraper Blade Holder / Red / 8" Less Blade	#694919 CFS-50810	1
		Scraper Blade Holder / Red / 12" Less Blade	#694920 CFS-51210	1
		Scraper Blade / 20"	#694923 CFS-50120	1
		Bolt / Scraper Head Mtg.	#694385 CFS-87560	

6 Scraper Tools / Stripper



Drawing 6



Electrical Spare Parts

**Power Pack Electrical Panel
Electrical Components**

7

Description	Blastrac Part # (ERN)	Quan.
Panel / Complete	#696043 ST2	1
Main Disc. Switch / Klockner Moeller NZMH 4-80	#696044 ST2.2	1
Handle / Main Switch / Klockner Moeller H6	#696045 ST2.21	1
Extension / Main Switch / Klockner Moeller ANZM 6	#696046 ST2.22	1
Overload / Breaker / Pump / Siemens 3VF1231-1DH11-OAB3 36 - 50 A. (1OLCB)	#696047 ST2.3	1
Overload / Breaker / Fan / Siemens 3VU1300-IMG00 1 - 1.6 A (2OLCB)	#696048 ST2.4	1
Overload / Breaker / Heater / Siemens 3VU1300-INK00 1 - 6Amp (3OLCB)	#696049 ST2.5	1
Overload / Breaker / Xformer / Siemens 3VU1300-0HM00 (INK00) 1.6 - 2.4 Amp (4OLCB)	#696050 ST2.6	1
Contactor / Pump / Siemens 3TF 4722-OAG2 (1MCB)	#696051 ST2.7	1
Contactor / Fan & Heater / Siemens 3 TF 4022 - OAG2 (2MCB & 3MCB)	#696052 ST2.8 & ST2.9	2
Transformer / Control Voltage / Schumacher ST-L 0,2 2 X 230V, 110V, 200 VA	#696053 ST2.10	1
Transformer / Current / MBS Sulsbach ASK421.4(31.6) 60/5 A	#696054 ST2.11	1
Fault Relay / Flashing / Schleicher Struck KSB 11, 0,5 sec. 110-127 Volt 50 / 60 Hz. (1TR)	#696055 ST2.12	1
Lamp (White) / Siemens 3SB 1001-6BGO6 (1LT - 3LT)	#696056 ST2.13	3
Bracket / Lamp / Siemens 3SB1902-1AC (1LT - 5LT)	#696057 ST2.13.1 & 14.1	5
Socket BA9S 115 Volt / Siemens 3SB 1300 - 2A + 3 SX1731(1LT - 5 LT)	#696058 ST2.13.2 & 14.2	5
Lamp (Red) Siemens 3SB1001-6BC06 (4LT, 5 LT)	#696059 ST2.14	2
Switch / Emergency Stop / Siemens 3SB1203-1AC01 (1PB)	#696060 ST2.15	1



Electrical Spare Parts

**Power Pack Electrical Panel
Electrical Components**

7

Pushbutton / Green / On / Siemens 3SB1000-0AE01 (3PB)	#696061 ST2.16.	1
Bracket / Pushbutton / Siemens 3SB1902-1AC (2 PB & 3 PB)	#696062 ST2.16.1 & 17.1	2
Contactator / NO / Siemens 3SB1400-0B (3 PB)	#696063 ST2.16.2	1
Pushbutton / Red / Stop Siemens 3SB1000-0AC01 (2 PB)	#696064 ST2.17	1
Contactator / NC / Siemens 3SB1400-0C (2 PB)	#696065 ST2.17.2	1
Hourmeter / HV In-dustronk / Bauser HV150029 / 632.2, 115V / 60 Hz.	#696066 ST2.18	1
Ammeter / Wagner Gnbh EQW 48RS 5/60/120	#696067 ST2.19	1
Terminals /35 qmn / Siemens 8WA 1205	#696068 ST2.22	3
Terminals / 35 qmn Ground / Siemens 8WA1735	#696069 ST2.23	2
Terminals / 4 qmn / Siemens 8WA1011-1DG11	#696070 ST2.24	17
Terminals / 4 qmn Ground / Siemens 8WA 1011-1PG00	#696071 ST2.25	5
Cable Duct 40 x 25 mm / Siem/Dahl 5VN6761	ST2.26	2
Terminal Railing / 35x27x15x1.5 mm / Siemens 5ST1142	ST2.27	2
Cable Grip PG 11 / Pflitsch Uni-Dich PG11	#696072 ST2.31	5
Cable Grip nut PG11 / Siemens 5VB 4221	#696073 ST2.32	4
Cable Grip PG 29 / Pflitsch Uni-Dicht PG29	#696074 ST2.33	2
Nut / Cable Grip / PG 29 / Siemens 5VB4225	#696075 ST2.34	2
Cable Grip / Reducer PG 6/11 / Siemens 5VF220	#696076 ST2.35	1
Cord Grip / Kellems / CG1020-90	#687121	1
Cable (Electric) 4/4 SO 55 ft.	#690834	1